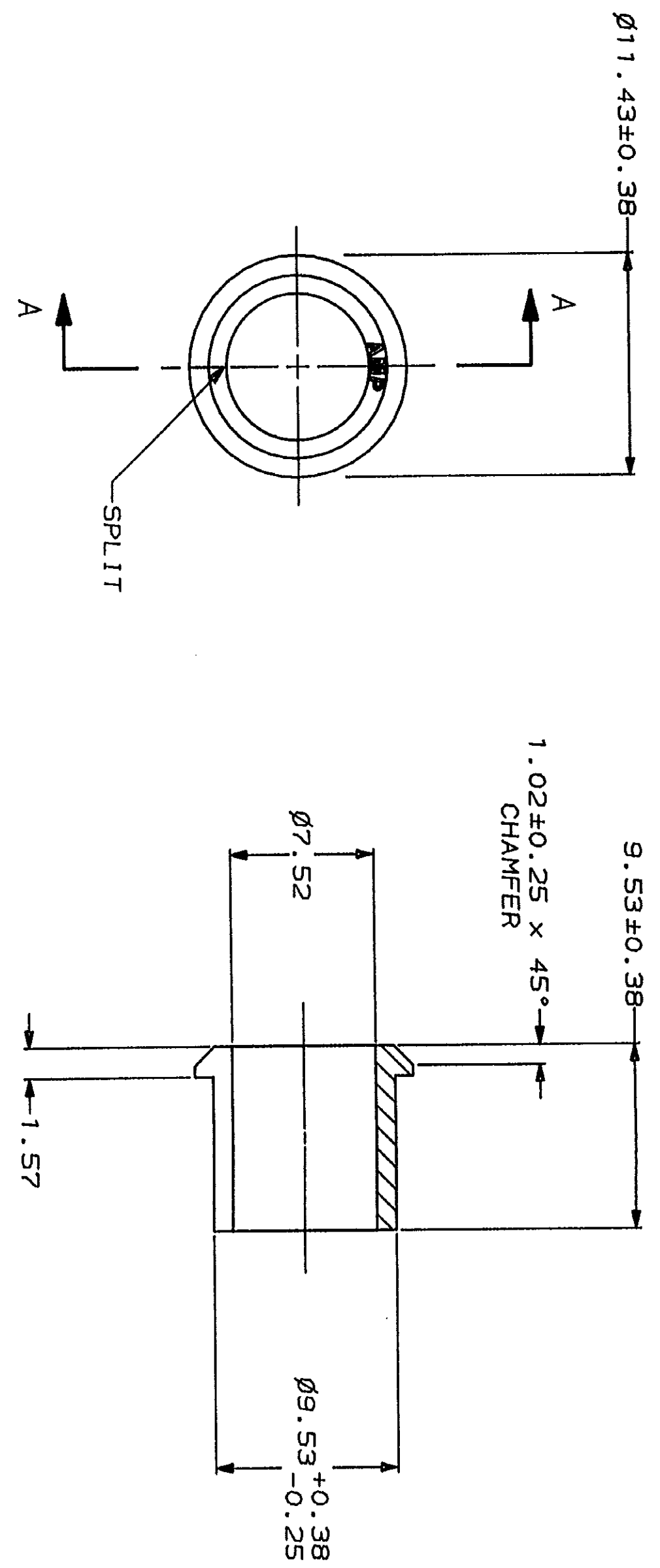
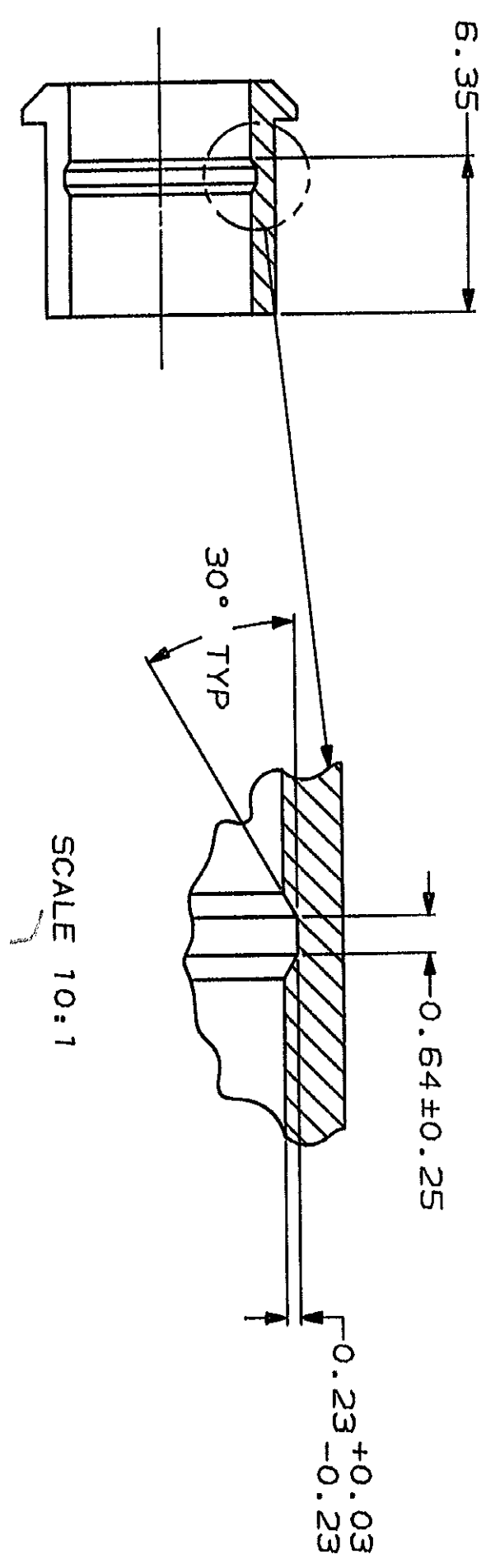


REVISIONS		DESCRIPTION	DATE	APPD
1	D	REDWN AND REV PER ECN CM-2599	12-8-89	RS

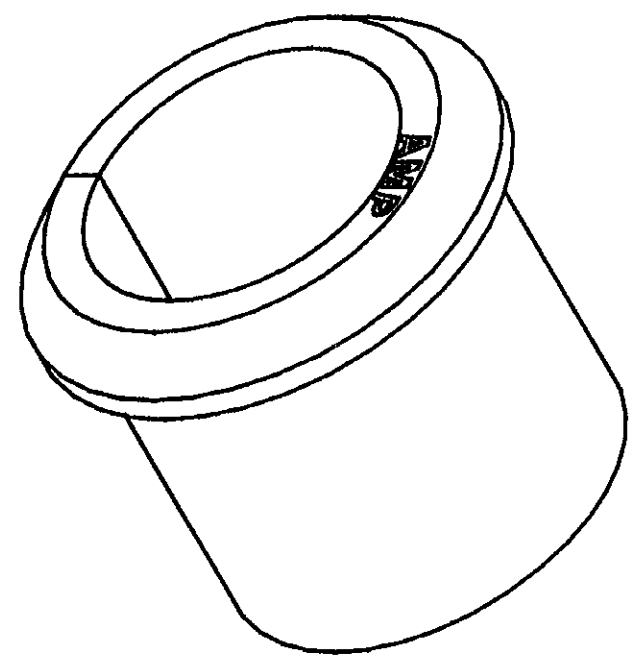
1. USE WITH STRAIN RELIEF 350373.  
 MOLDING COMPOUND PVC, FLEXIBLE, 55/75 DUREMETER (B SCALED), BLACK.



SECTION A-A



SECTION A-A  
 OPTIONAL CONSTRUCTION



3-DIMENSIONAL MODEL  
 NTS

MM	IN	MM	IN	MM	IN
0.25	.010	1.57	.062	11.43	.450
0.23	.009	1.02	.040	9.53	.375
0.13	.005	0.64	.025	7.52	.296
0.03	.001	0.38	.015	6.35	.250

CONVERSION TABLE



DO NOT SCALE PRINT. UNLESS SPECIFIED (INCHES) DIMENSIONS IN MM (MILLIMETERS) TOLERANCES IN MM: 2 PLC DEC ± 0.13 3 PLC DEC ± 1.0° ANGLES		DR: <i>[Signature]</i> 12-8-89	NAME: GROMMET, SPLIT, M.R.
MATERIAL:		CHK: <i>[Signature]</i> 12-8-89	AMP INCORPORATED Merrilldale, Pa. 17105
FINISH: -		APPD: <i>[Signature]</i> 12-11-89	PART NO: 1-350375-0
WEIGHT: -		PRODUCT SPEC: -	SIZE: C
APPLICATION SPEC: -		SCALE: 4:1	CAGE CODE: 00779
DRAWING NO: 350375		DRAWING NO: 350375	
SHEET: 1 OF 1		SHEET: 1 OF 1	

CUSTOMER DRAWING

350375